

P120E "C"

Modular electric oven for bakery

COMPOSITION WITH 1 BAKING CHAMBER
INTERNAL HEIGHT 30cm



OPTIONS AND ACCESSORIES (WITH SURCHARGE)

- Leavening prover on wheels, height 800mm
- Leavening prover on wheels and humidifier, height 800mm
- Support with wheels, height 600mm
- Support with wheels, height 800mm
- Support with wheels, height 950mm
- Additional tray holder guides for compartment and support
- Steamer for baking chamber
- Spacer element height 300mm
- Refractory brick cooking surface
- Suction hood

(WITHOUT SURCHARGE)

- Front vapour collection hood in stainless steel sheet

EXTERNAL CONSTRUCTION

- Structure made in folded stainless steel
- Side panels in pre-painted sheet metal
- Stainless steel hood with aluminised steel top cover
- Front vapour collection hood in enameled steel sheet
- Steam duct in stainless steel plate
- Stainless steel double door with bottom hinge and spring balance
- Tempered glass element
- Handles in thermoplastic material
- Control panel on front right hand side

INTERNAL CONSTRUCTION

- Cooking surface in buckle plate
- Aluminated steel top and side structure
- Rock wool heat insulation

FUNCTIONING

- Heated by armoured heating elements
- Electronic temperature management with independent adjustment of ceiling and floor
- Maximum temperatura reached 450°C
- Continuous temperature monitoring with thermocouple
- Vapour ducting using manual butterfly valve

STANDARD EQUIPMENT

- Lighting with halogen lamp
- Timer
- Economiser
- Independent maximum temperature safety device
- 20 customisable programs



MORETTI FORNI S.P.A.

www.morettiforni.com

marketing@morettiforni.com

Via A.Meucci, 4 - 61037 Mondolfo (PU) ITALIA

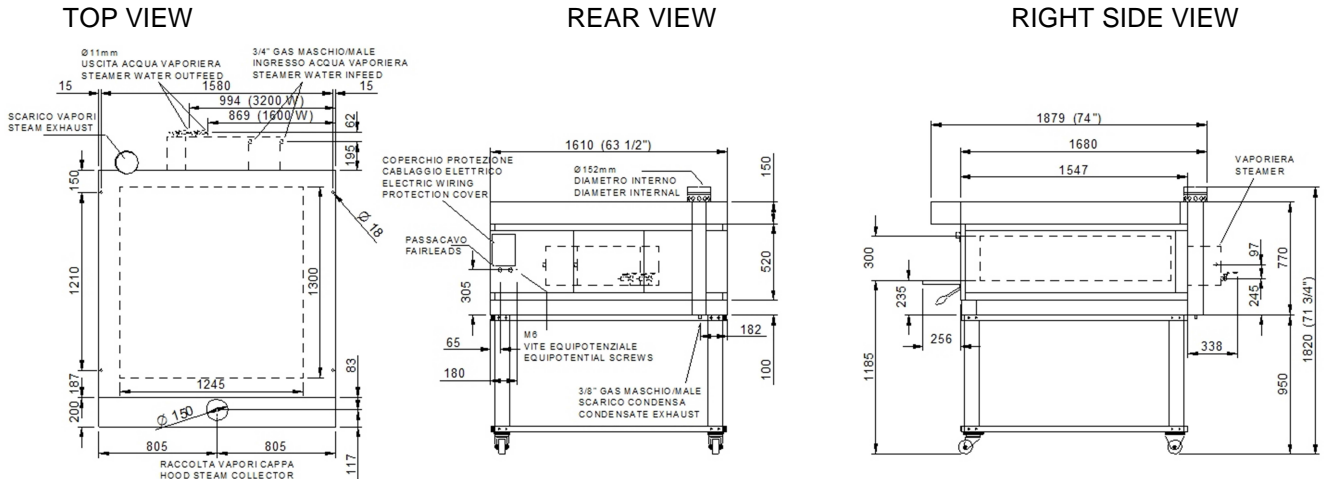
Tel. +39.0721.96161 - Fax +39.0721.9616299



P120E "C"

1 baking chamber height 30cm

(assembled with support height 950mm)



Nota: The dimensions indicated in the views are in millimetres.

SPECIFICATIONS

The appliance comprises one cooking element and an optional leavening compartment or support. The oven cooking surface is in buckle plate that provides perfectly even heat distribution over the whole surface, making this oven particular suitable to cook bakery. Temperature adjustment is electronic, with independent control of the ceiling and floor heating elements. The oven door is hinged at the bottom, with a tempered glass window to check the state of the product while it is cooking. The support comprises a painted metal structure, whereas the leavening compartment has a stainless steel structure and is fitted with a heating thermostat. The leavening compartment can reach a maximum temperature of 65°C, whereas the maximum temperature of the baking chamber is 450°C

All the data provided below refer to the configuration with 1 baking chamber

DIMENSIONS

External height 870mm
 External depth 1879mm
 External width 1610mm
 Weight 366kg
 Baking surface 1,6m²

SHIPPING INFORMATION

Packed in wooden crate
 Height 1020mm
 Depth 2052mm
 Width 1810mm
 Weight (366+50)kg

FEEDING AND POWER

Standard feeding
 A.C. V400 3N
 Feeding on request
 A.C. V230 3
 Frequency 50/60Hz
 Max power 11,5kW
 Average power cons 5,7kWh
 Connecting cable
 type H07RN-F
 5X4mm² (V400 3N)
 4x10mm² (V230 3)
 Power supply (optional prover)
 A.C. V230 1N 50/60 Hz
 Max power 1,5kW
 Average power cons 0,8kWh
 Conn. Cable type H07RN-F
 3x1,5mm²

TOTAL BAKING CAPACITY

When combined with leavening compartment or support:
 Tray (600x400)mm 6
 Max height 1970mm
 Max weight (478+60)kg

* This value is subject to variation according to the way in which the equipment is used

- NOTE: MORETTI FORNI S.P.A. reserves the right to modify the characteristics of the products illustrated in this publication without prior notice